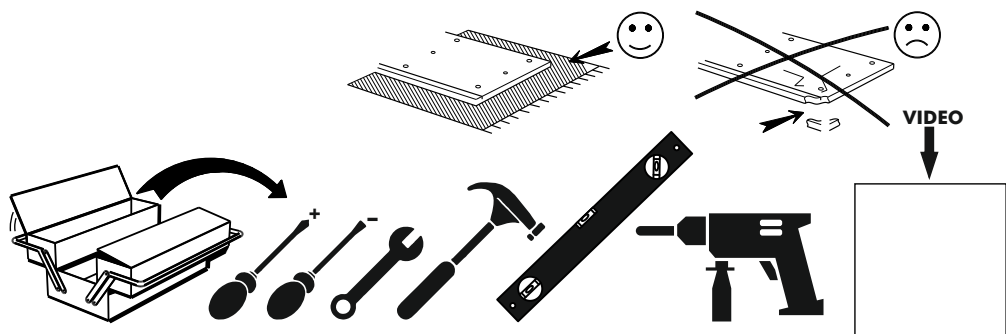
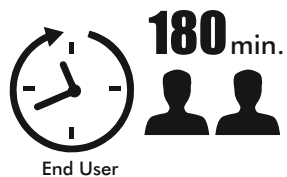
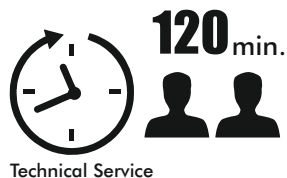
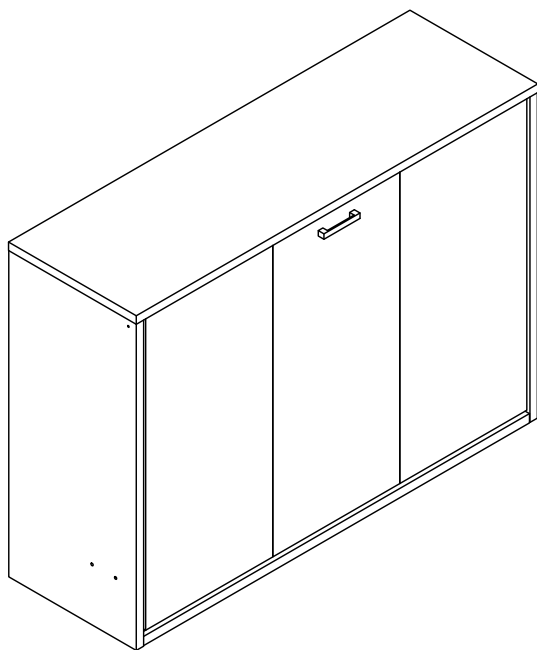




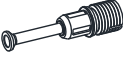

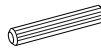




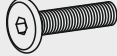


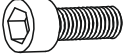





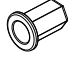
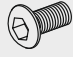
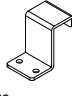
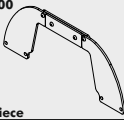
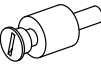
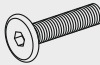


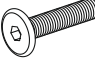


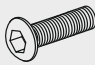
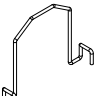
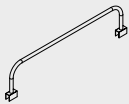
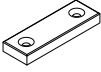

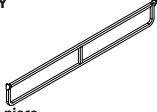


MULTIMO

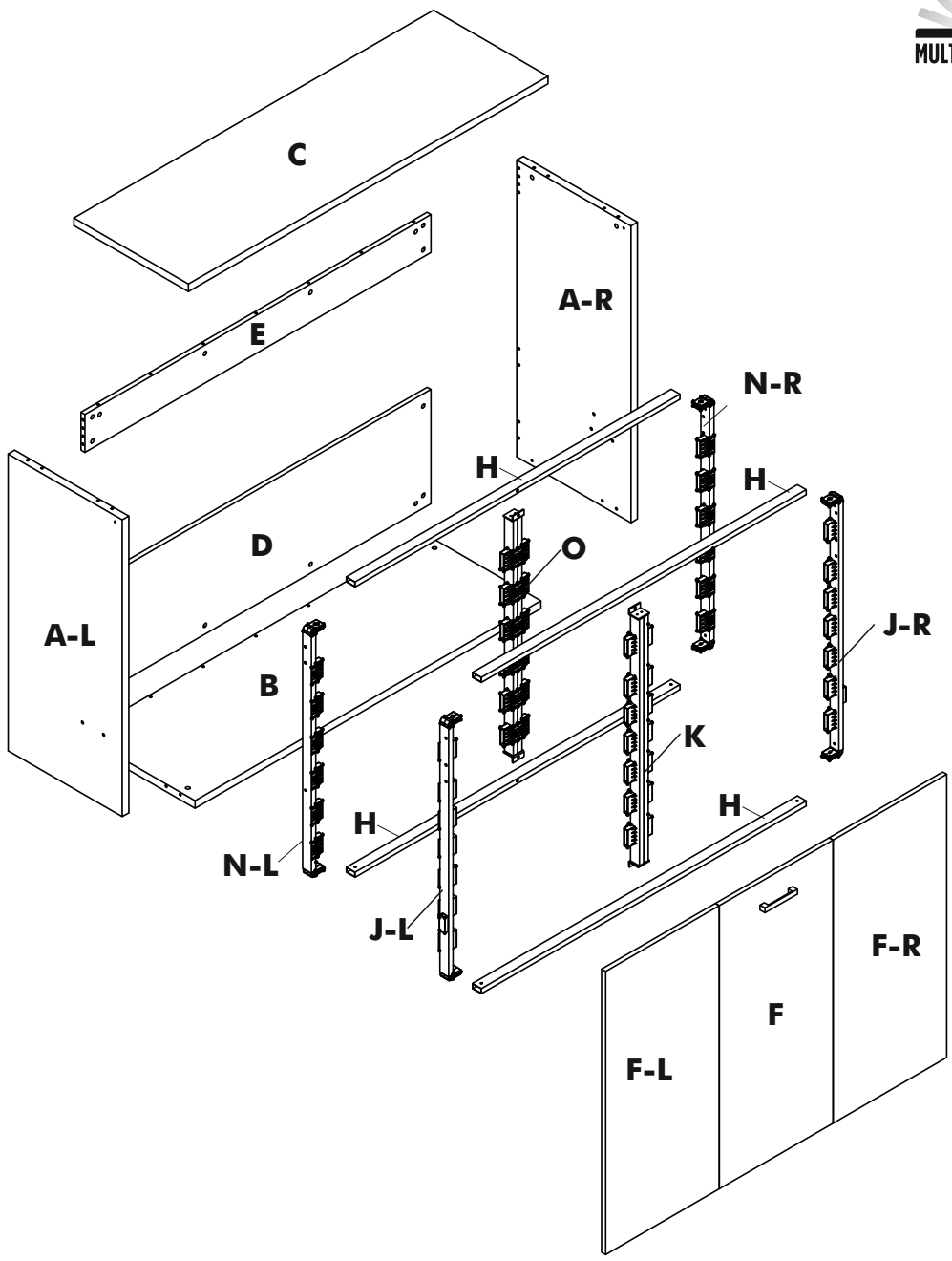
215- CAPSULE DOUBE FOLDING QUEEN BED

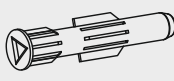

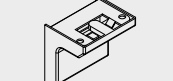
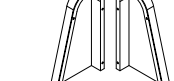



Track Title	Piece	(inch)			(mm)			
		Thickness	Length	Width	Piece	Thick	Height	Most
A	2	1,18	46,06	20,47	2	30	1170	520
B	1	1,18	62,05	20,47	1	30	1576	520
C	1	1,18	64,49	20,51	1	30	1638	521
D	1	0,71	62,05	17,72	1	18	1576	450
E	1	0,71	62,05	5,91	1	18	1576	150
F	1	0,71	43,98	20,39	1	18	1117	518
F-R / F-L	2	0,71	43,98	20,39	2	18	1117	518

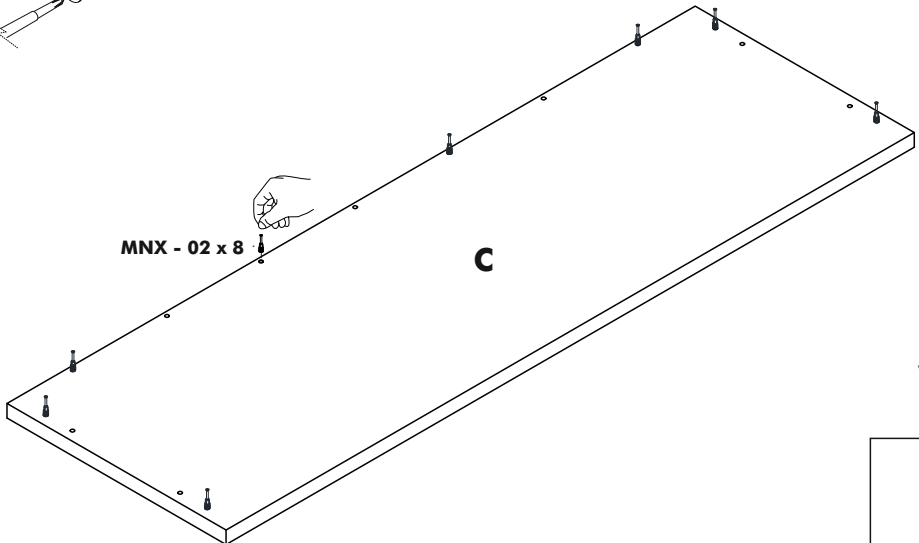
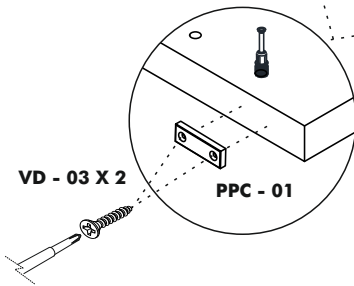
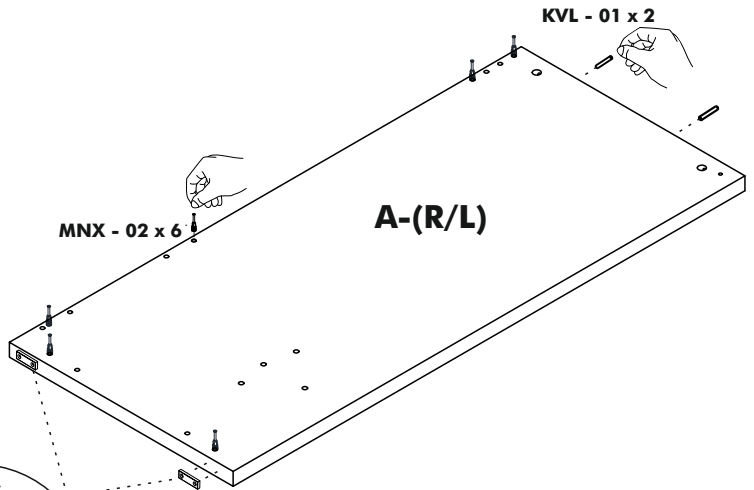
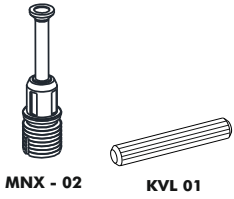
Accessories List

MNX 02  24 / piece MNX - 03	MNG - 01  44 / piece YSB - 01 (3,9x16) mm	KVL 01  30 / piece CT - 01 (6x40) mm	TAP - 01  44 / piece OT-054	KP - 01 (224) mm  1 / piece VKP - 01 (22) mm
 10 / piece IM - 01 (6x30) mm	 4 / piece MKZ - 01 D	 2 / piece PL - 04 (5x12x0,7) mm	 2 / piece LTA - 01	 2 / piece VTB - 02 (4,2x16) mm
 4 / piece SC-99	 1 / piece 350N	 4 / piece CTM - 01 (6x10) mm	 26 / piece SC-110	 32 / piece SC-100
 2 / piece OT 10	 8 / piece CT - 04 (6x20) mm	 8 / piece PL - 05 (8x16x2) mm	 12 / piece SN - 02 (M8)	 2 / piece CT - 05 (6x35) mm
 2 / piece OT-006	 4 / piece SN - 01 (M6)	 2 / piece CTM - 02 (8x35) mm	 10 / piece TTC 01	 2 / piece KOR
 2 / piece PPC 01	 2 / piece VD - 03 (3,5x18) mm	 8 / piece SAY	 2 / piece AL - 01 (4MM)	 1 / piece AL - 02 (5MM)
 4 / piece	 12 / piece	 1 / piece	 1 / piece	 1 / piece



<p>DD - 01 (R10)</p>  <p>2 / piece</p>	<p>VD - 01(6X70) mm</p>  <p>2 / piece</p>	<p>DSE - 02</p>  <p>2 / piece</p>	<p>KMT-01</p>  <p>1 / piece</p>	<p>KLF -F (fabric cover)</p>  <p>1 / piece</p>
---	---	---	---	---

STEP 1

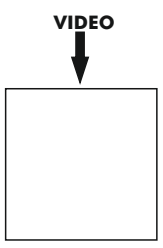
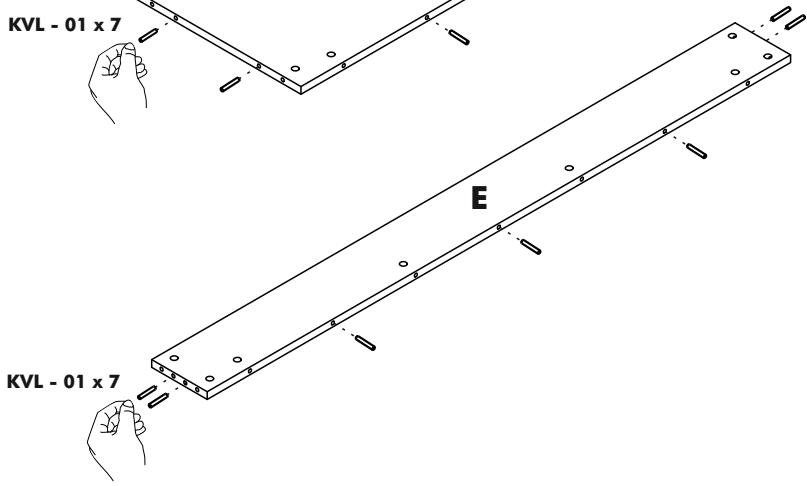
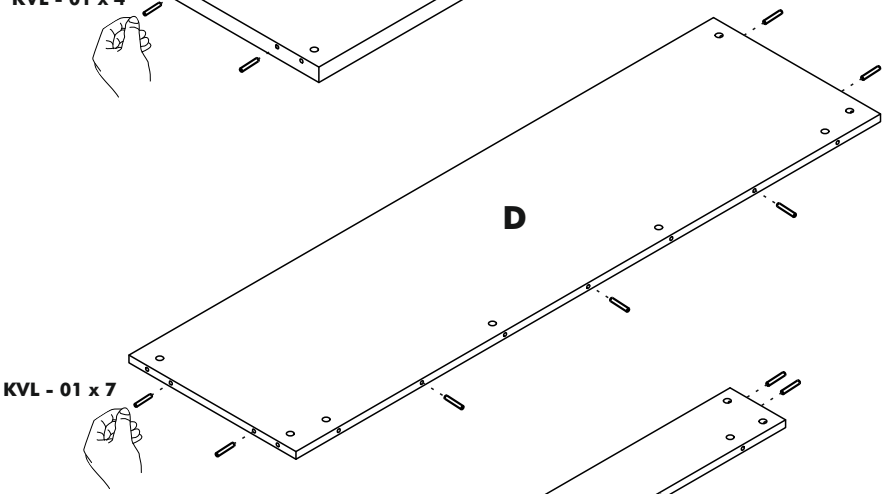
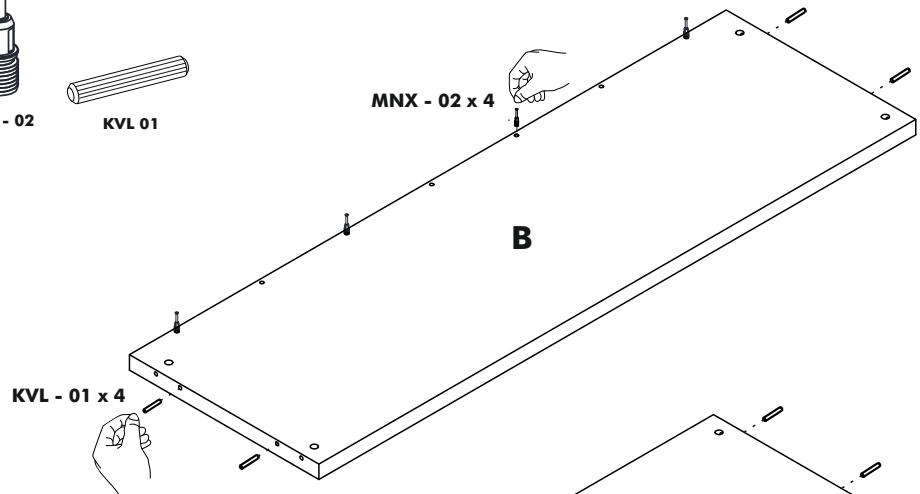
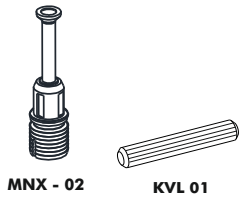


VIDEO



link

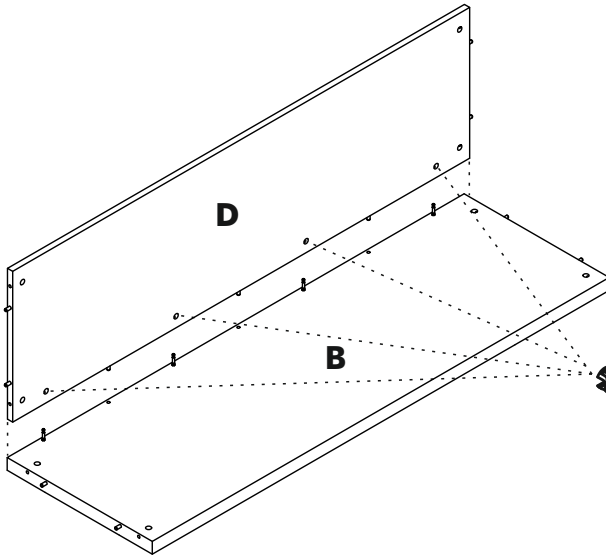
STEP 2



STEP 3

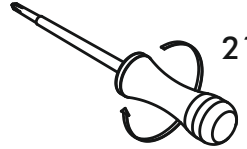


MNG - 01



MNG - 01 x 4

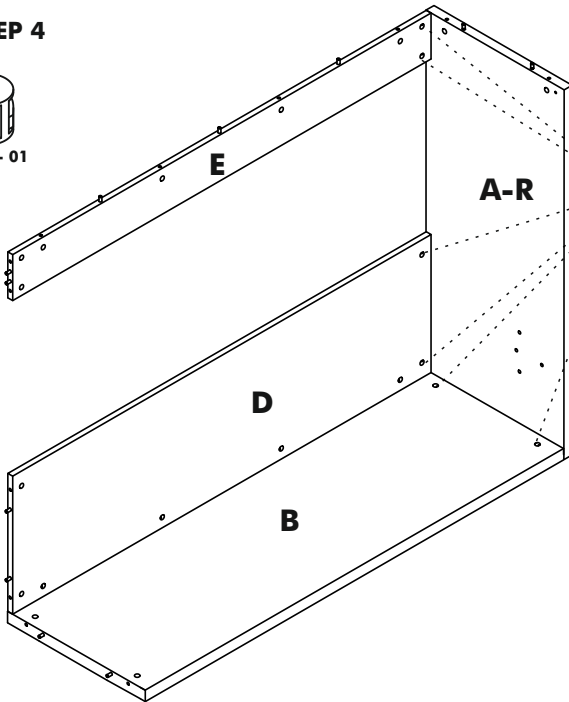
210°



STEP 4

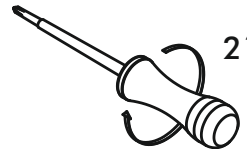


MNG - 01

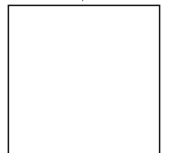


MNG - 01 x 6

210°

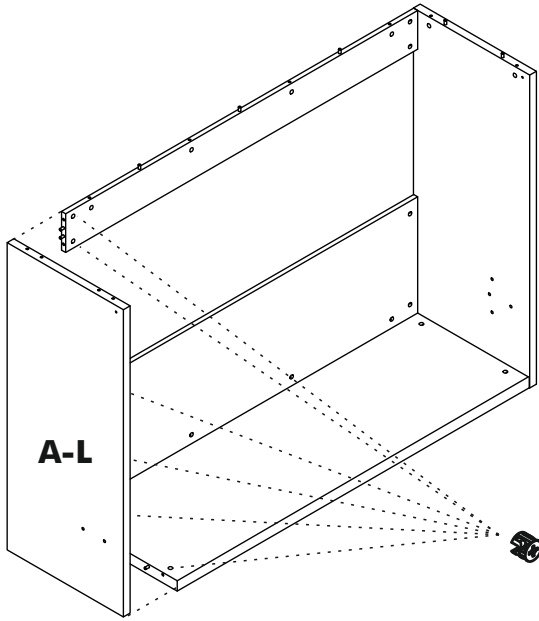


VIDEO

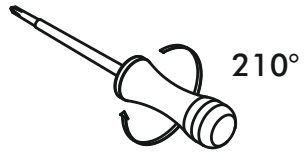


link

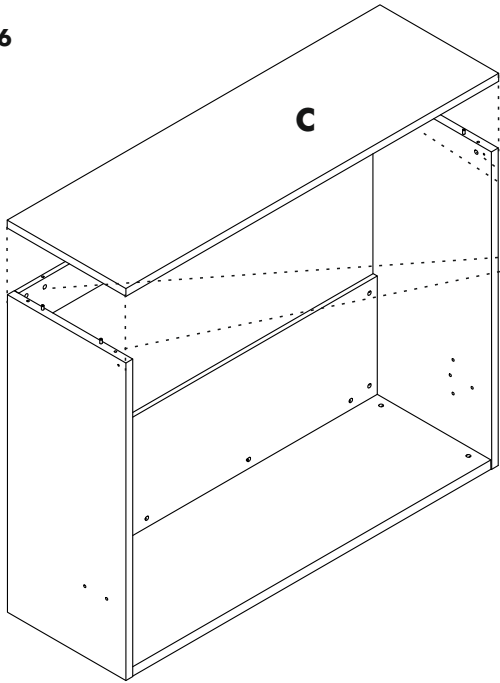
STEP 5



MNG - 01 x 6



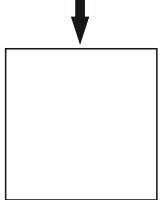
STEP 6



MNG - 01 x 8

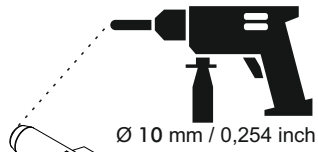


VIDEO



link

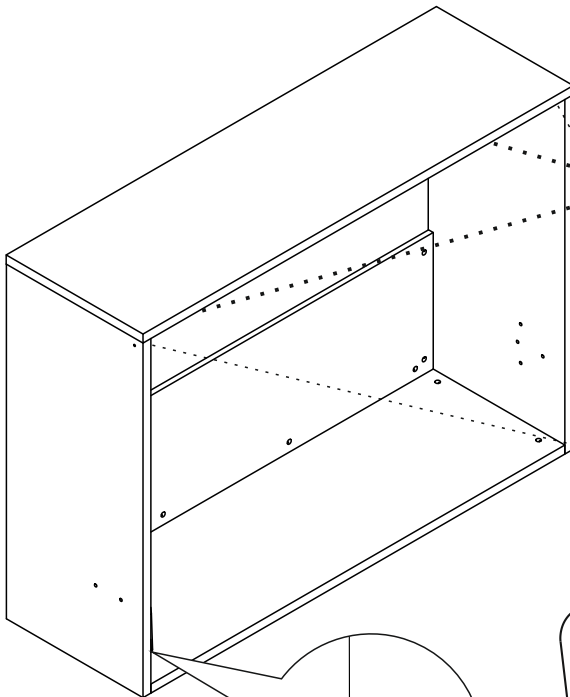
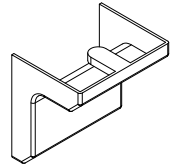
STEP 7



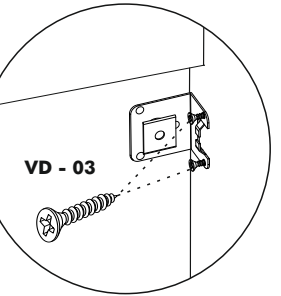
DD - 01

DSE - 02

VD - 01

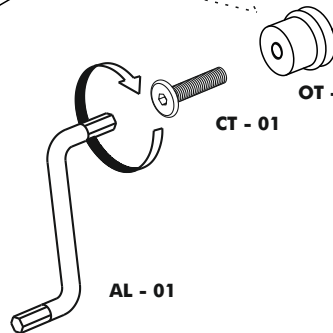


VD - 03

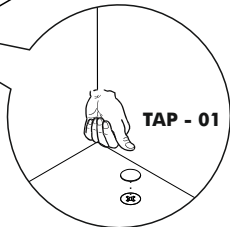


OT - 54

CT - 01

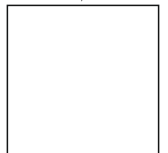


AL - 01



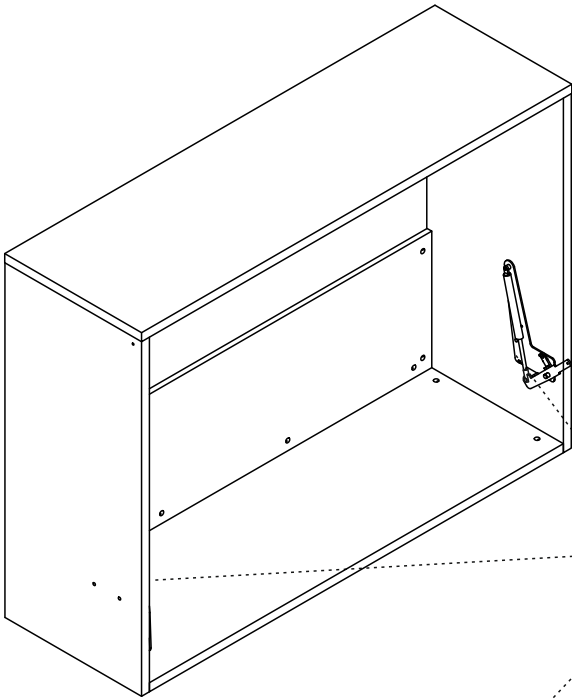
TAP - 01

VIDEO

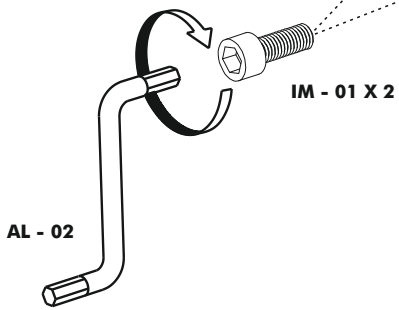
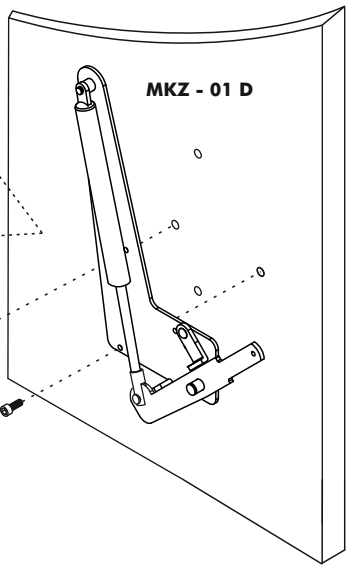


link

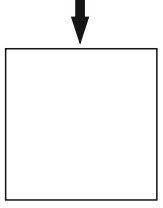
STEP 8



CAUTION
DO NOT UNLOCK BEFORE INSTALL

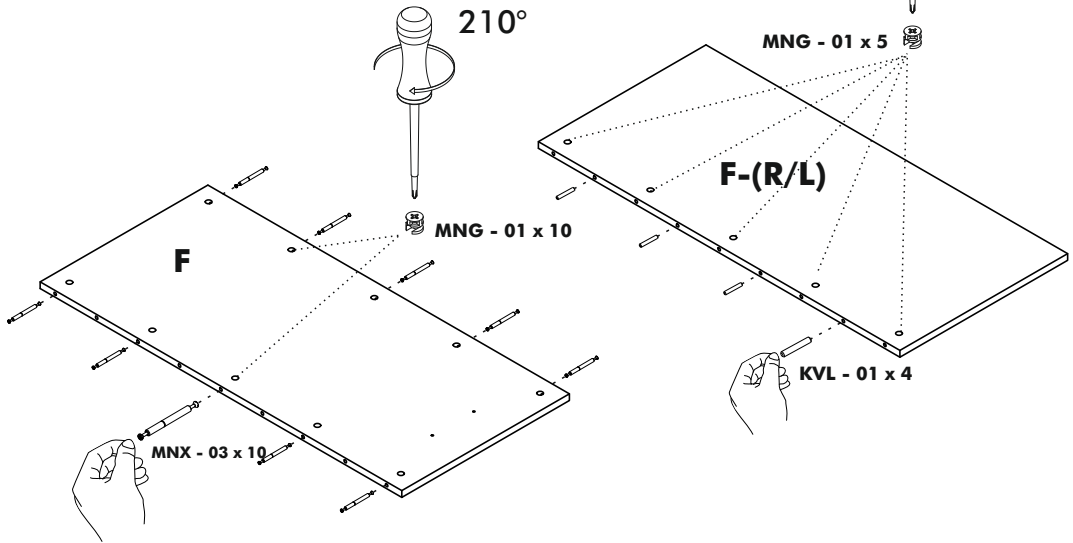
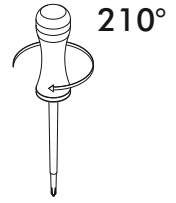
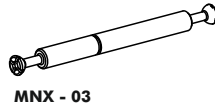
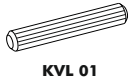


VIDEO

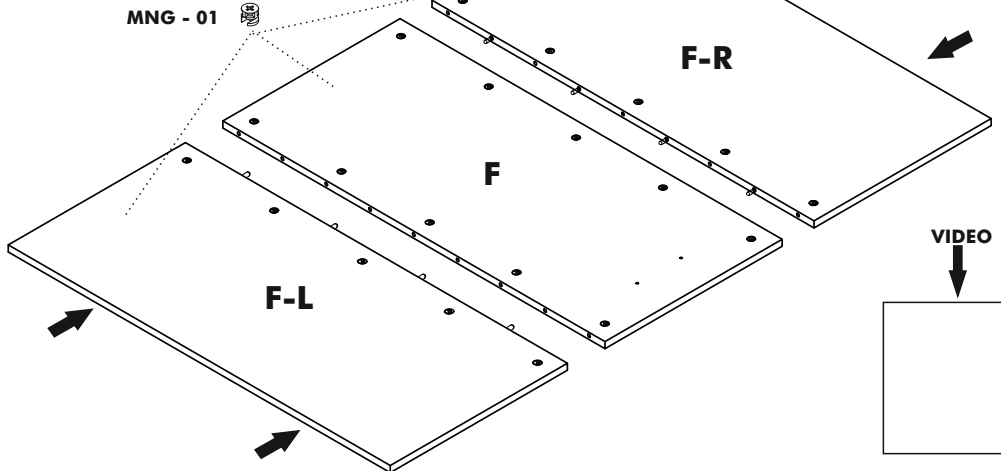
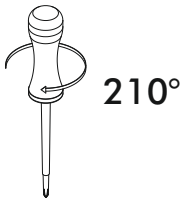


link

STEP 9

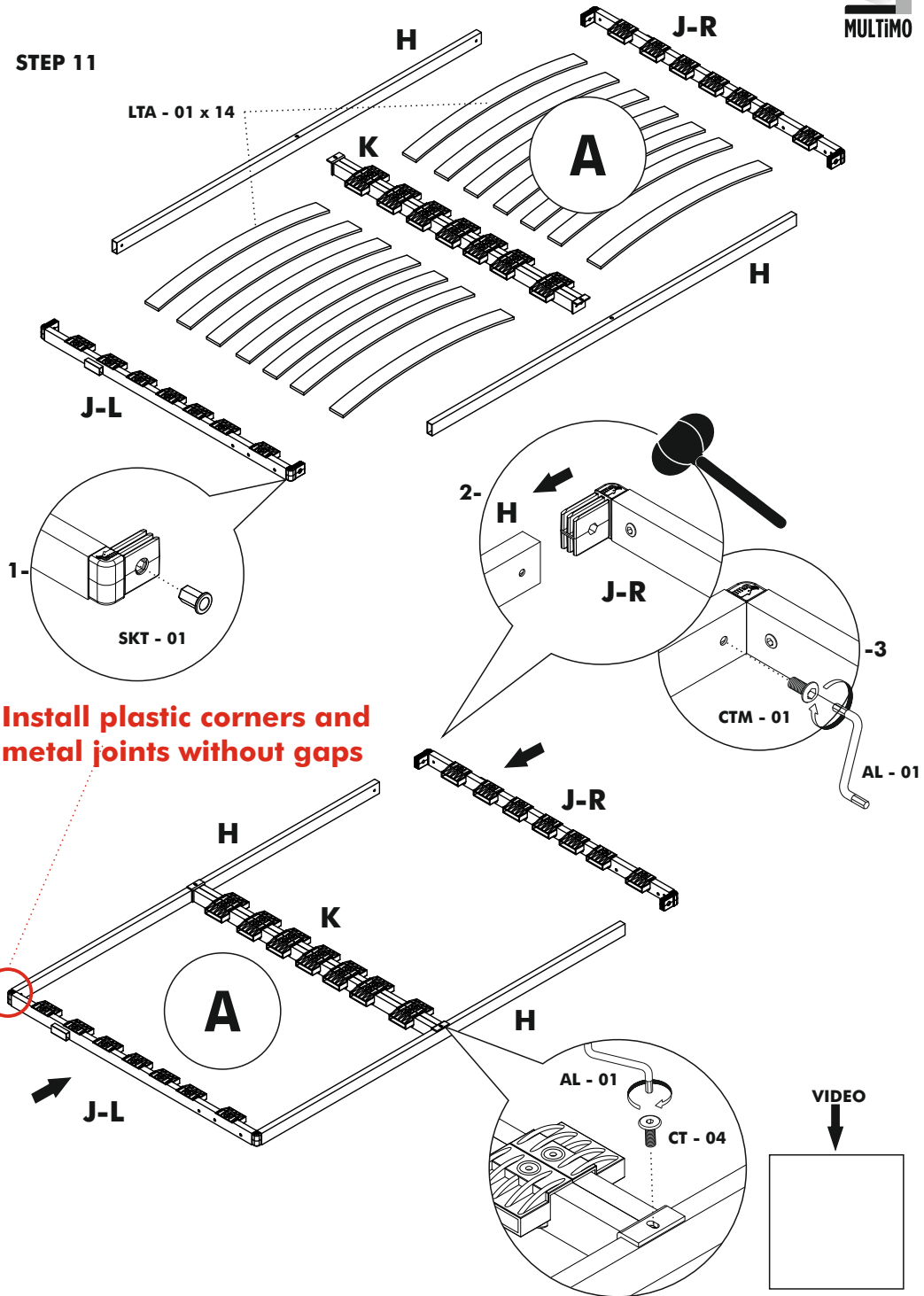


STEP 10



STEP 11

LTA - 01 x 14

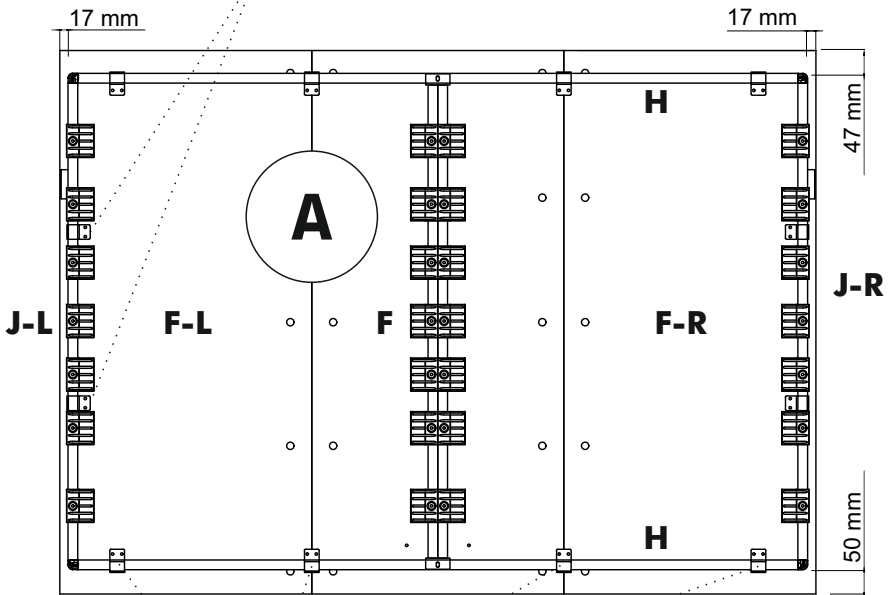
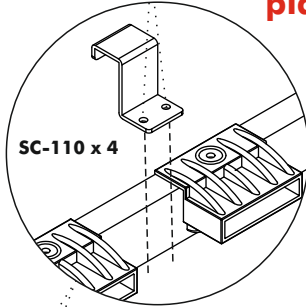


Install plastic corners and metal joints without gaps

STEP 13

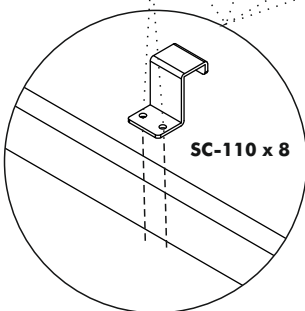
VTB - 02 x 8

Assemble the brackets over the places shown over J-R, J-L profiles

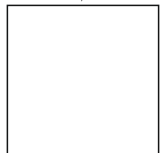


VTB - 02 x 16

Assemble the brackets over the places shown over H profiles

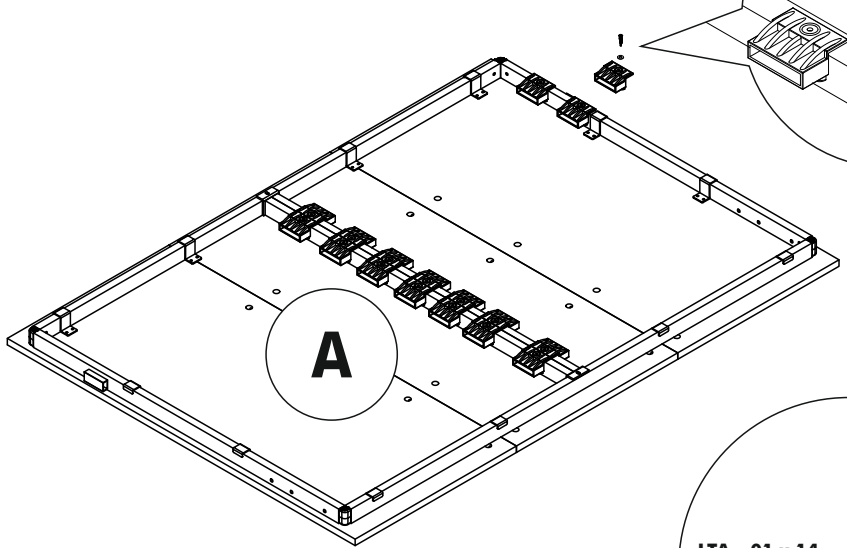


VIDEO

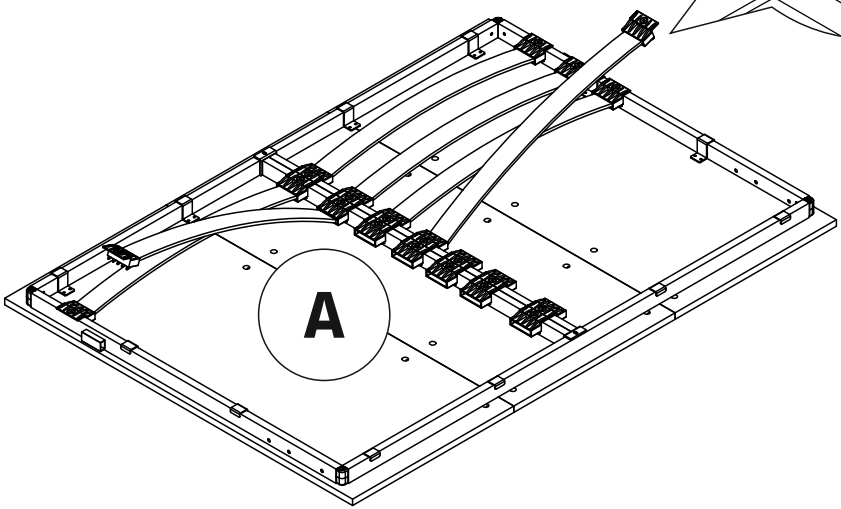


STEP 14

Unscrew the Screws

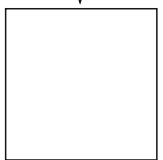


STEP 15



LTA - 01 x 14

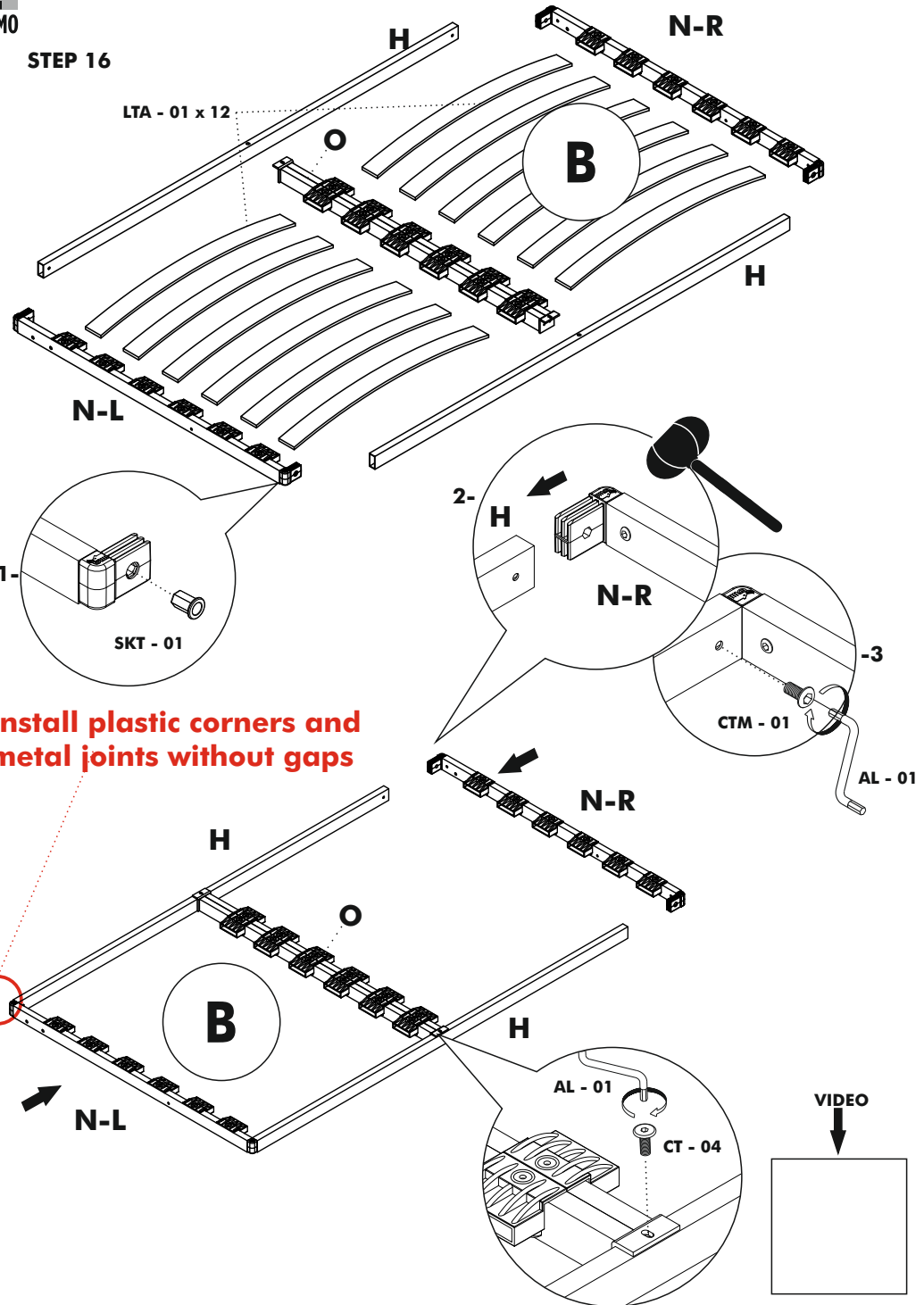
VIDEO



link

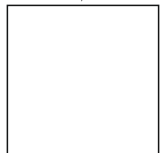
STEP 16

LTA - 01 x 12



Install plastic corners and metal joints without gaps

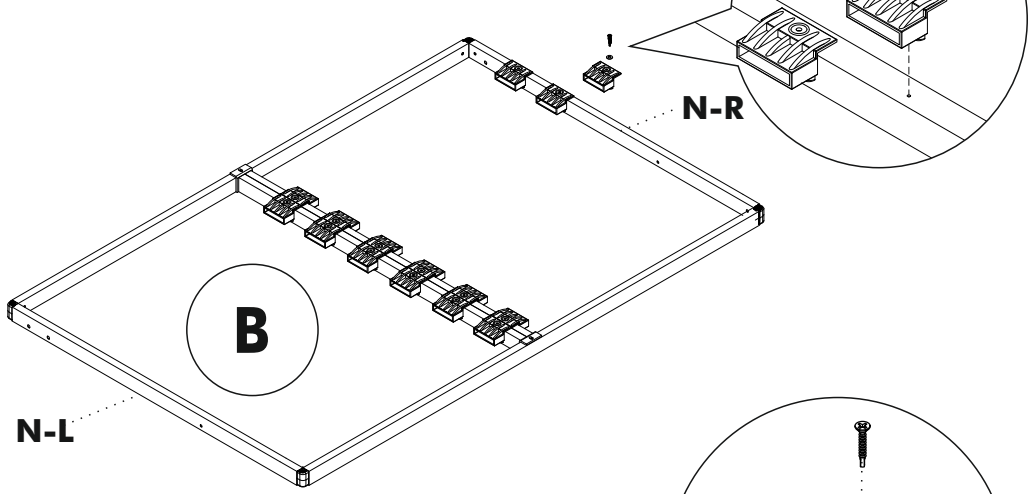
VIDEO



link

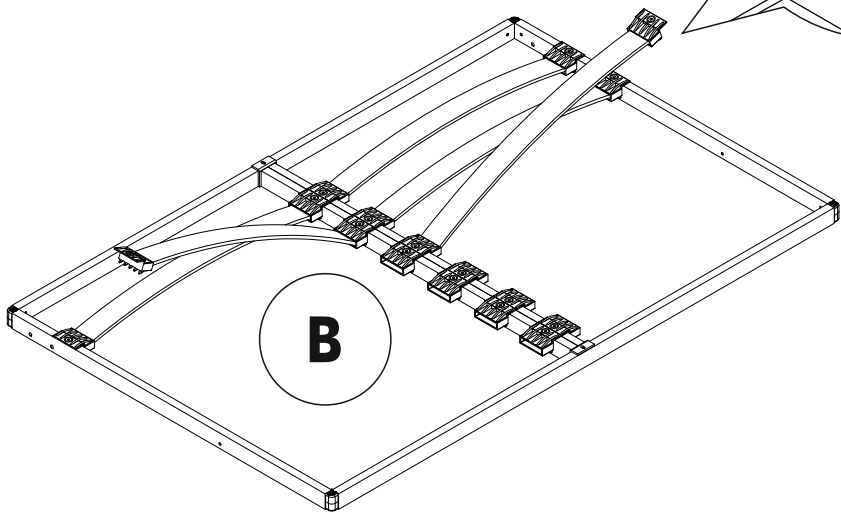
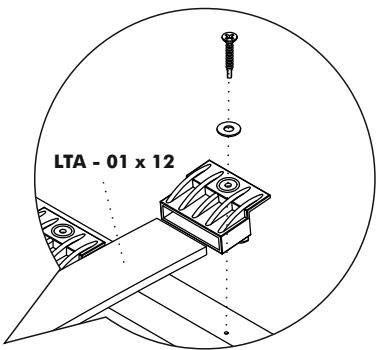
STEP 17

Unscrew the Screws

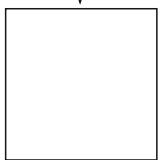


N-L

STEP 18

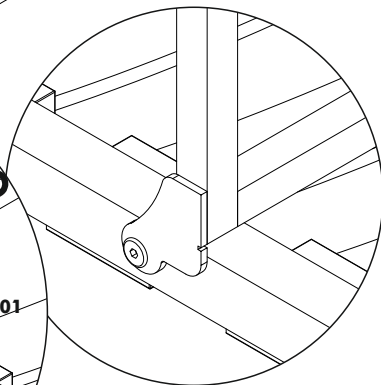
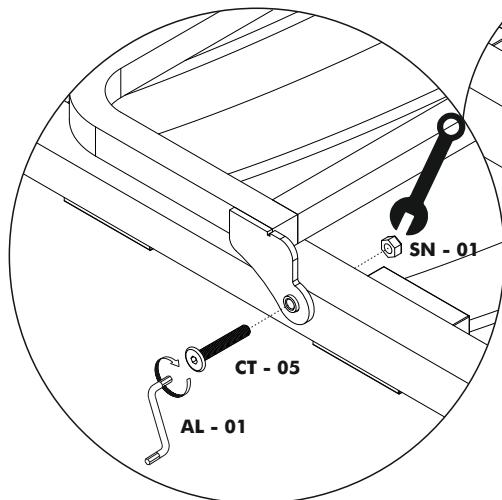
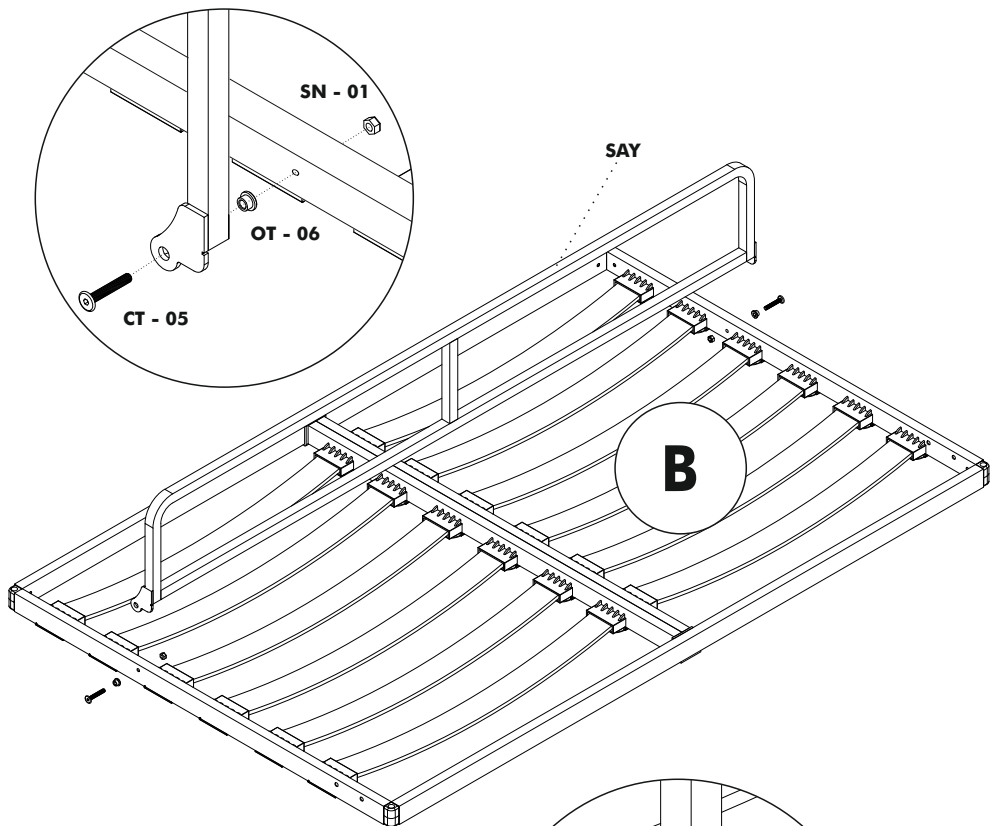


VIDEO

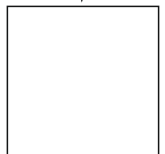


link

STEP 19

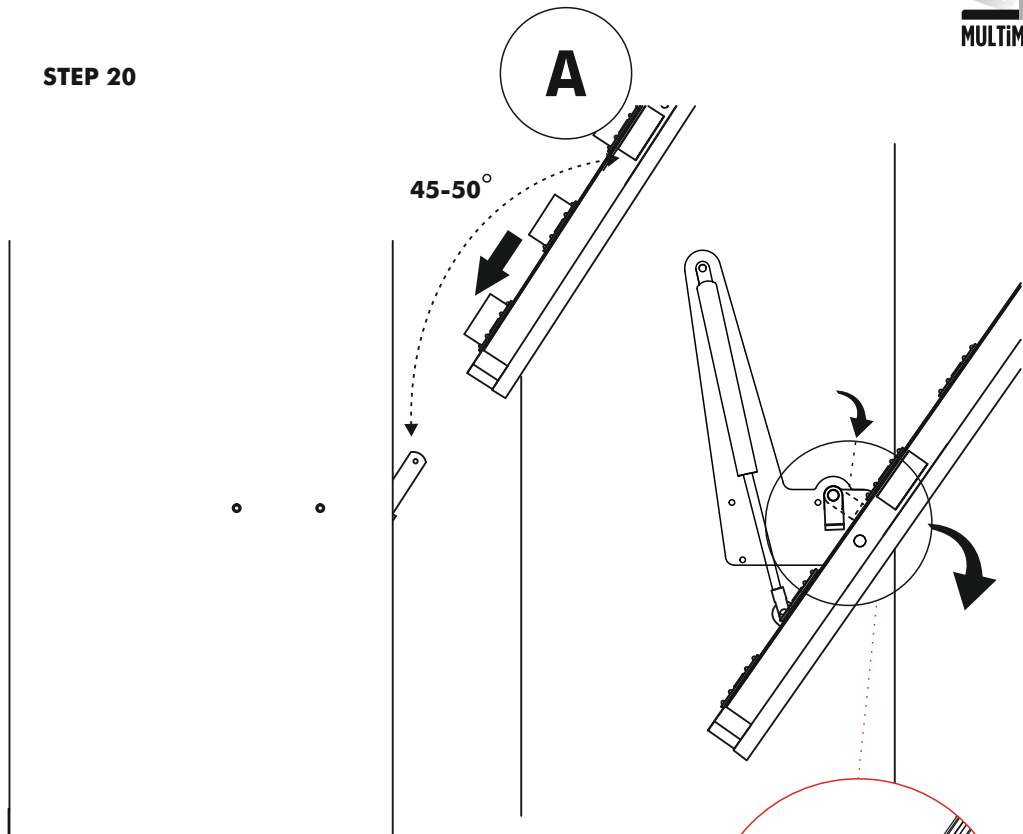


VIDEO

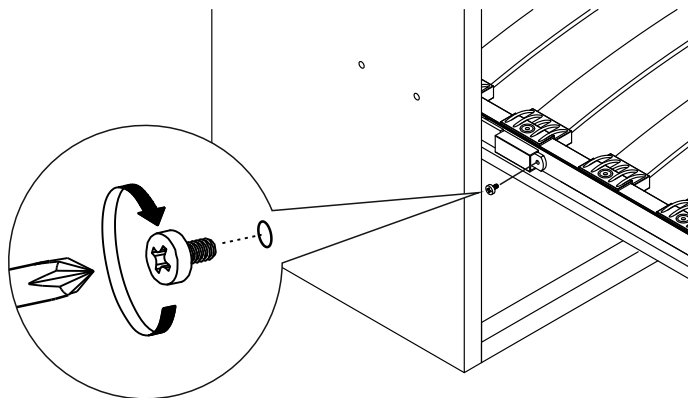
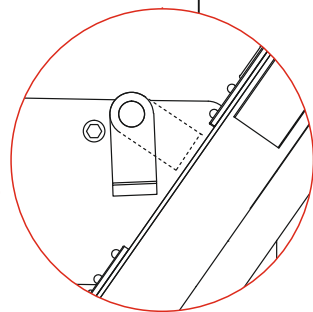


link

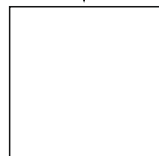
STEP 20



LET THE STOPPER LOCK MOVE DOWN !!!

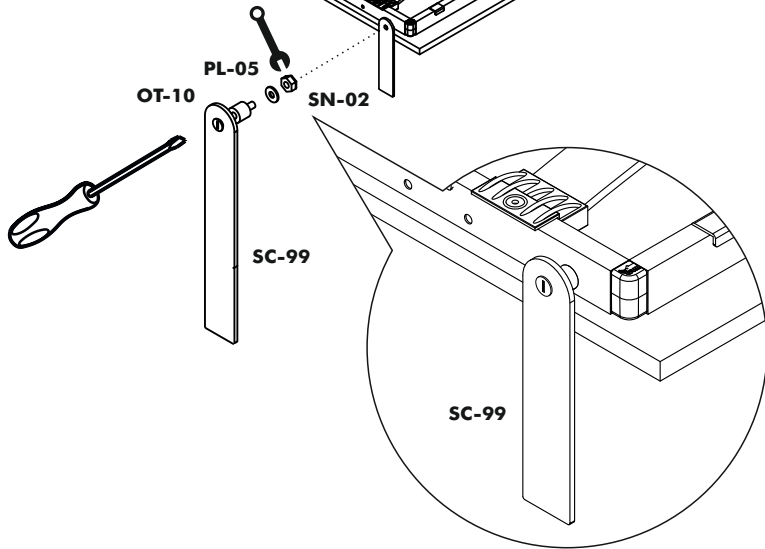
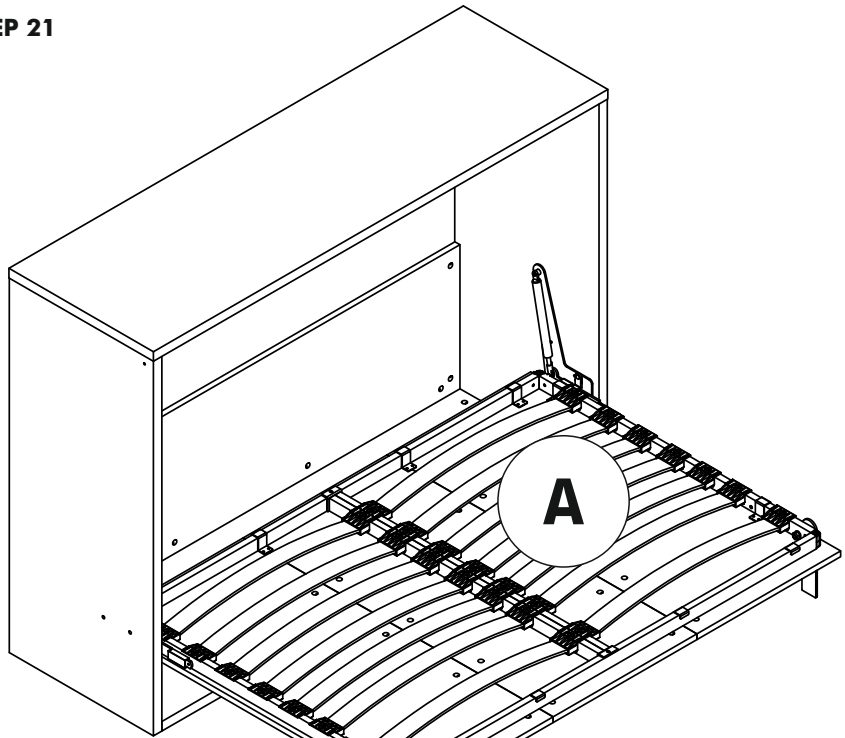


VIDEO

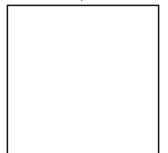


link

STEP 21

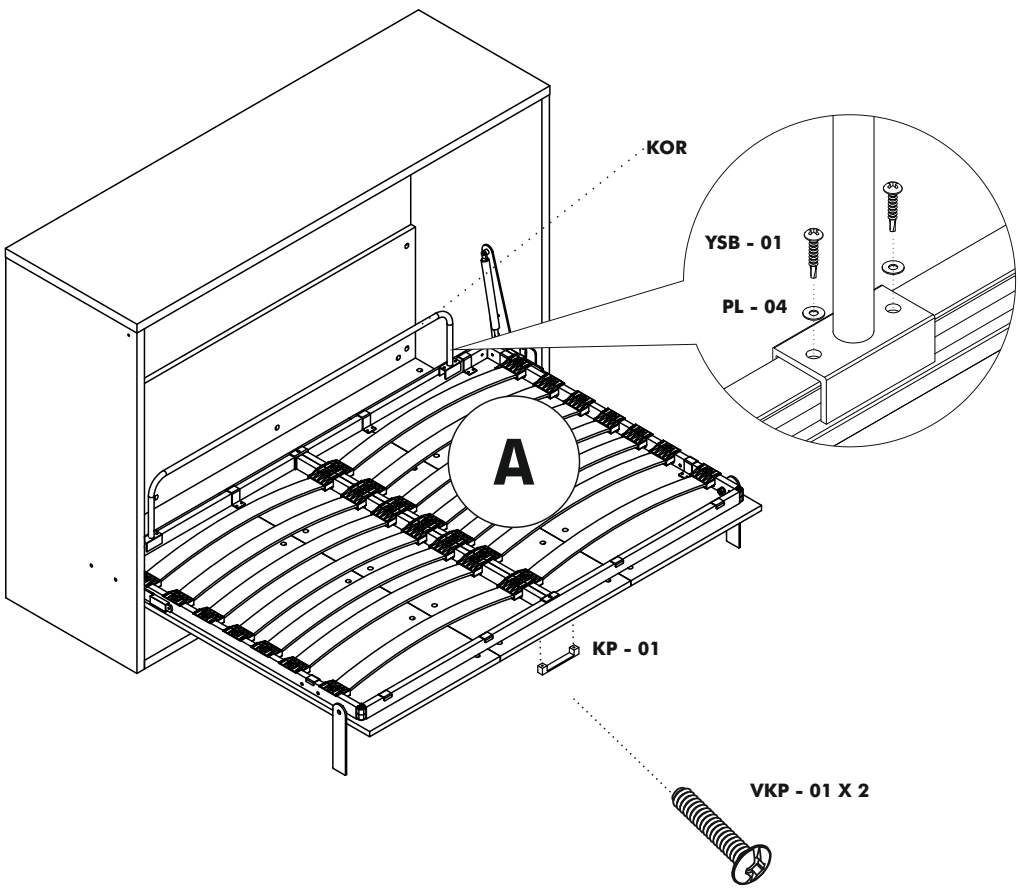


VIDEO

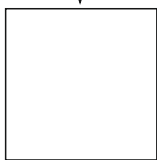


link

STEP 22

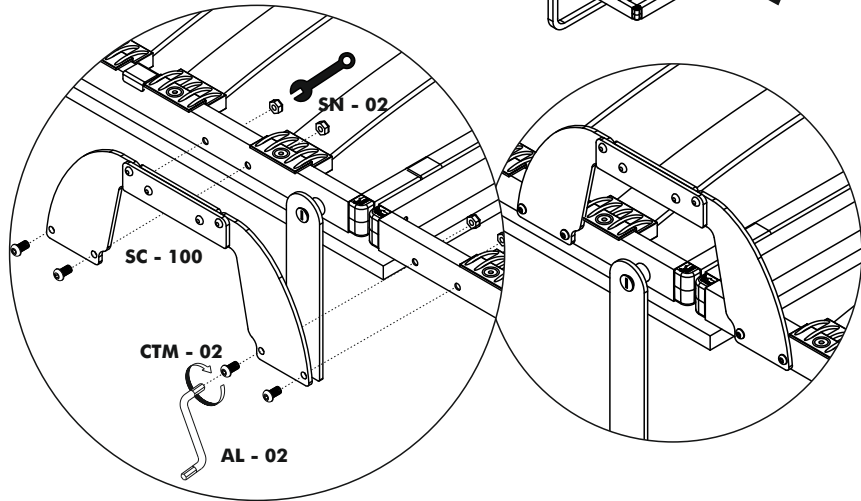
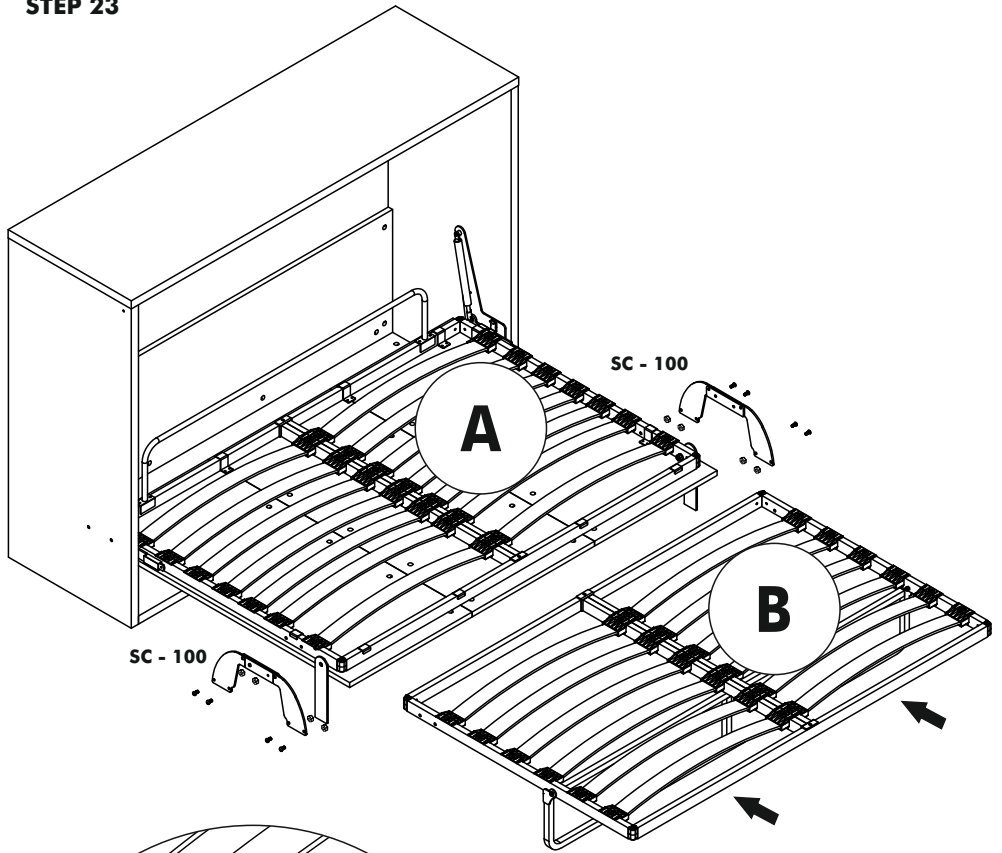


VIDEO

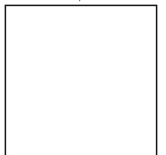


link

STEP 23

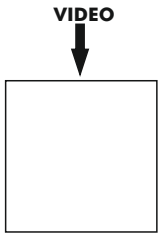
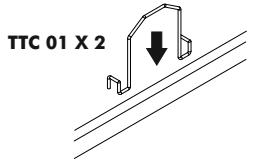
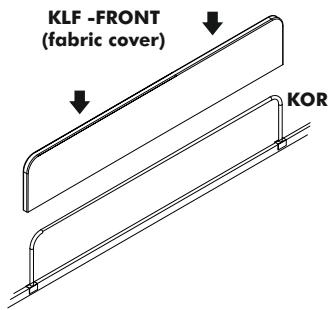
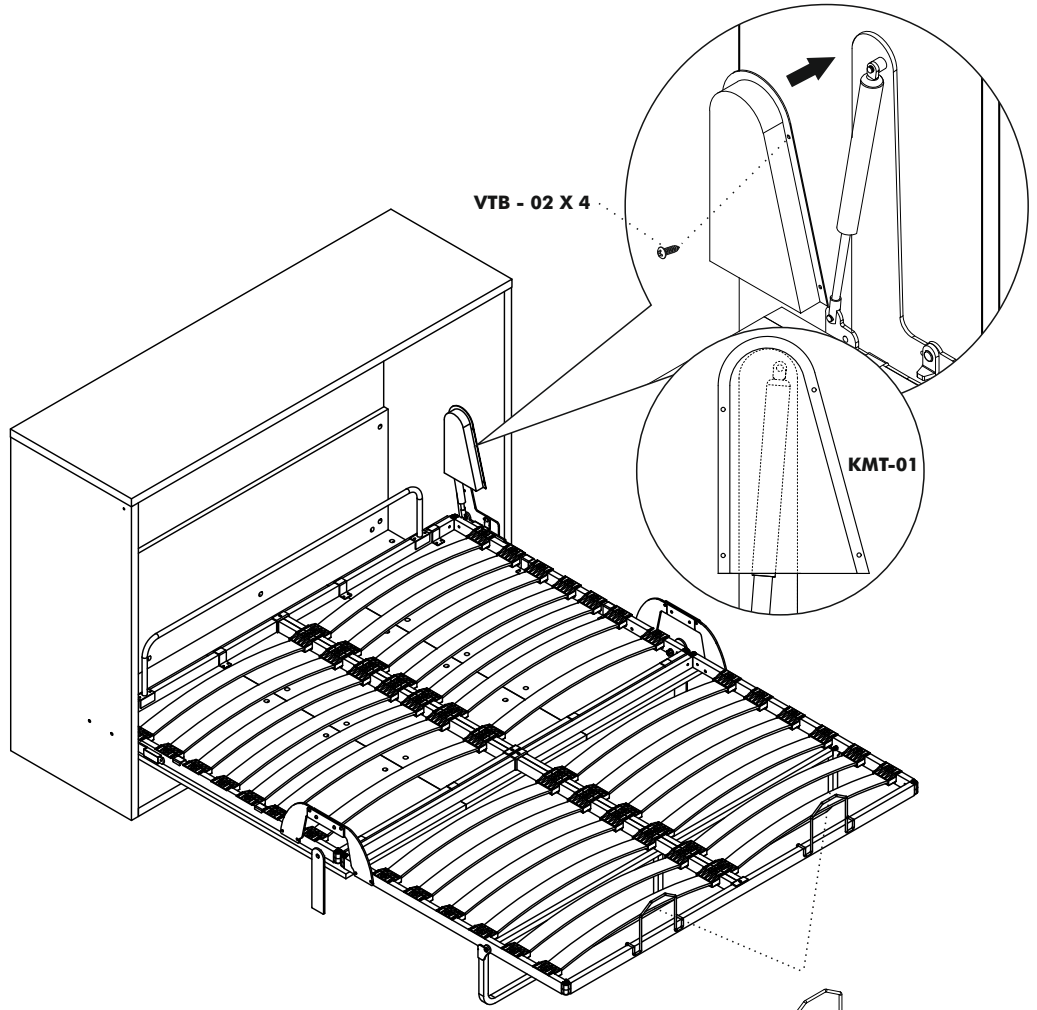


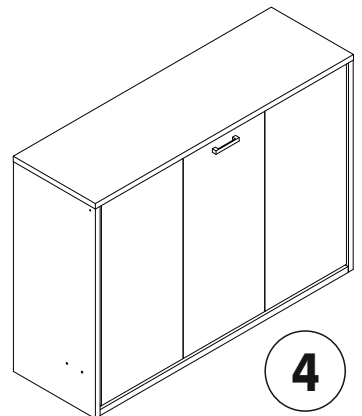
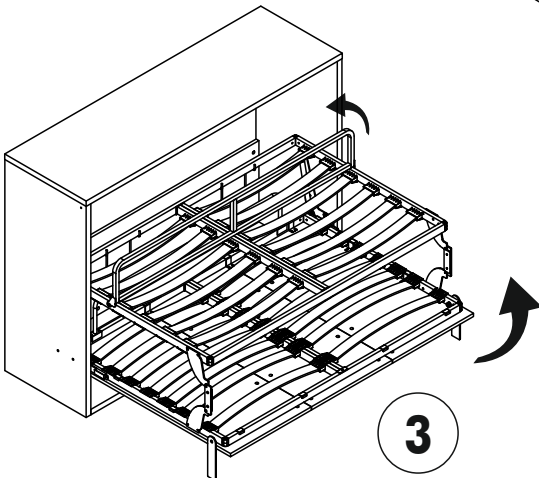
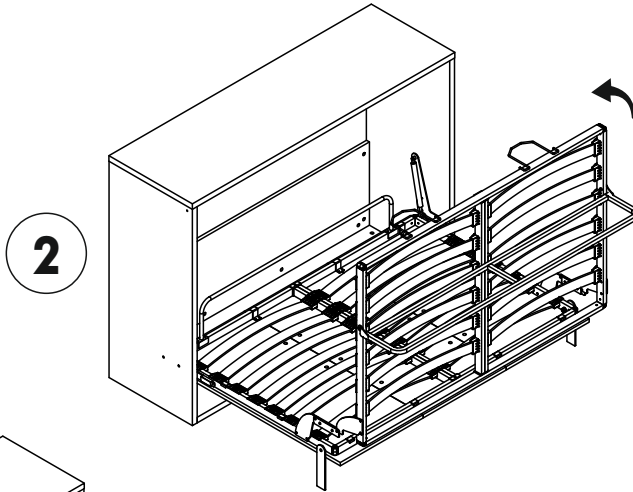
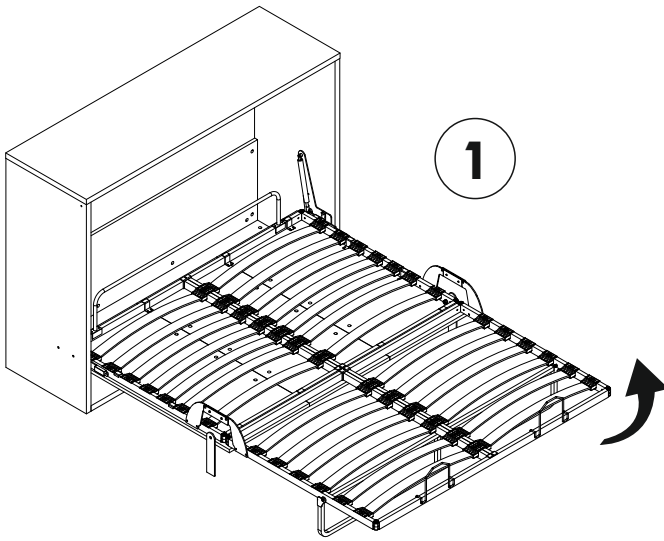
VIDEO



link

STEP 24





ATTENTION / HOW TO / READ ME / OWNER'S GUIDE

1. When mounting on a regular drywall, furniture must be fastened to wood or metal studs. Solid walls made of brick, concrete or similar strong material are also acceptable. Do not mount furniture to paper-mache or sheet rock like material without properly aaxing to stud.

2. For safety and product longevity you must periodically inspect the mounting and mechanical connections for integrity and tightness. Confirm hardware remains properly affixed and connections snug.

3. Wall Bed mattress thickness may not exceed 8 inch. Take care to remove pillows and excess blankets before closing. Doing so keeps mechanism free of obstruction and unnecessary stress.

4. Do not lean or rest heavy objects on side or top of furniture. This may cause balance issues and compromise the integrity of your mounting connections.

5. Please use the furniture's beds, desks and shelving as intended. Not designed to be sat, stood, leaned, jumped (etc) on. Improper use may cause personal injury and damage to property.

6. With seasonal humidity change you must inspect interior and exterior of furniture.

7. Single, Twin, Twin XL beds accommodate the weight of one person. Improperly sleeping more than one person risks injury to person and damage to property.

8. Before any un-mounting or disassembly please contact Multimo for technical support and instruction. Failure to properly detach risks injury to person and damage to property.

9. For Bunk Beds:

- a. Always use provided ladder when accessing top bunk.
- b. Be slow, careful and aware of surroundings when opening top bunk.
- c. Do not horseplay. Beds are to be slept on only.
- d. Some have legs that fully extend when open- be aware of where the leg is and will be.



MULTiMO

www.multimo.com